

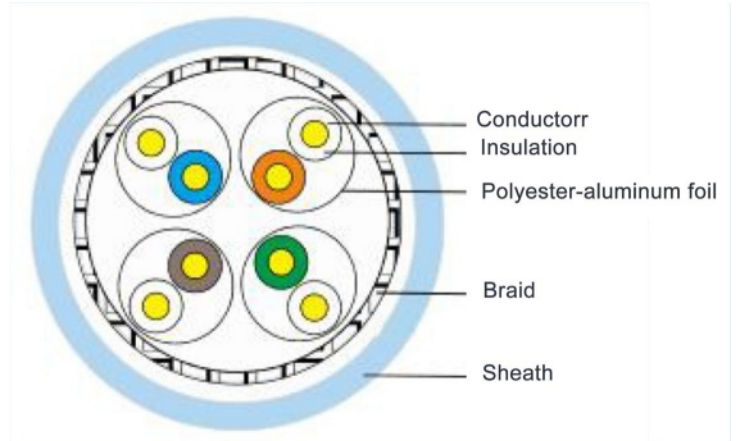


STANDARDS

ANSI/TIA-568.2-D
EN 50575

APPLICATIONS

Connection between computer network card and module, connection between distribution frame and wiring, connection between distribution frame and HUB or switch



CERTIFICATION



COLOR CODES

Insulation Color:

- P1: White / Blue & Blue
- P2: White / Orange & Orange
- P3: White / Green & Green
- P4: White / Brown & Brown

Jacket Color:

Options available

CABLE PRINTING

Customized available

PACKAGING

TEST REQUIREMENT

FLUKE PATCH CORD TEST

CONFIGURATION

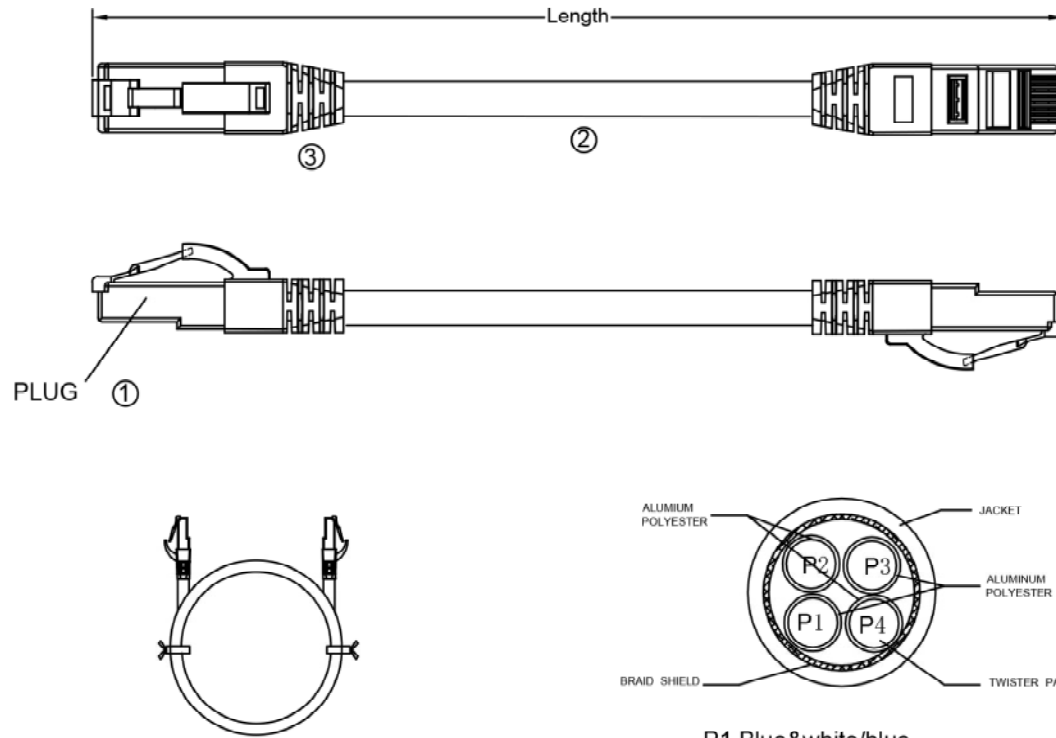
Conductor Material		Stranded Bare Copper
Construction		8C (4 pairs)
Conductor dia. ($\pm 0.005\text{mm}$)		7/0.16
Cable AWG		26
Insulation	Material	Foam PE
	Thickness ($\pm 0.05\text{mm}$)	0.32
	Diameter ($\pm 0.08\text{mm}$)	1.06
Screen	Pair in polyester-aluminum foil	100% coverage overlap $\geq 25\%$
	Overall Al-mg braid	coverage $\geq 60\%$
Sheath	Material	LSZH
	Thickness ($\pm 0.05\text{mm}$)	0.5
	Diameter ($\pm 0.30\text{mm}$)	6.2

ELECTRICAL PERFORMANCE

Max. Conductor DC Resistance (Ω/km)		110
Min. Insulation Resistance ($\text{M}\Omega\text{-KM}$)		5000
Dielectric Strength		DC-1KV/1 Min
1.0-250MHZ Characteristic Impedance(ohms)		100 \pm 15
1.0-250MHZ Delay Skew(ns/100m)		≤ 45
Resistance Unbalance(%)		≤ 4
Max Mutual Capacitance (nF/100m)		5.6
Unaged	Tensile Strength (Mpa)	≥ 9
	Elongation(%)	≥ 100
Aging at 100°C for 168Hrs	Tensile Strength (Mpa)	$\geq 75\%$
	Elongation(%)	≥ 50
Velocity of Propagation NVP		69%

A B C D E F G

Revisions			
REV.	ECN NO.	Description	DATE
A			



P1 Blue&white/blue
 P2 Orange&white/orange
 P3 Green&white/green
 P4 Brown&white/brown

Pin Assignment:

Pos. No.	T568B WIRING	Pos. No.
1	Orange	1
2	White/Orange	2
3	Green	3
6	White/Green	6
4	White/Blue	4
5	Blue	5
7	Brown	7
8	White/Brown	8
Shell		Shell

Product Description:

- ⚠ All cable 100% testing, any open, miswiring, short & intermittent are not permitted.
- ⚠ After crimping the distance between the bottom of contact and the top surface of plug are 5.90~6.146mm.
- ⚠ The patch cable must be tested with Channel test of Fluke CableAnalyzer
- ⚠ RoHS compliant PVC or PE or LSZH Jacket
- ⚠ Installation temperature -30℃~+50℃; Minimum bending Radius:4D

④			
③	OVERMODE		48P PVC
②	CABLE	1 PCS	CAT8 S/FTP 26AWG(7/0.16)×4P bare copper stranded LSZH Sheath OD 6.2± 0.3mm
①	RJ45 PLUG	2 PCS	Shielded RJ45 plug FU with insert (6/2) Nylon black
NO	ITEM	QTY	DESCRIPTION



PRODUCT NO	DESCRIPTION	CAT8 S/FTP PATCH CORD C8			DWG NO	
MATERIAL	Cu+LSZH	UNIT	mm	SCALE	1:1	EDITI A/0
DIMENSIONAL TOLERANCE		THIRD ANGLE PROJECTION		DRAWN	LUMI LI	DATE 01.08.2025
1000±15MM 2000±15MM 3000±20MM 5000±20MM				CHECK	NING HUA	DATE 01.08.2025
				APPROVAL		DATE 01.08.2025

A B C D E F G